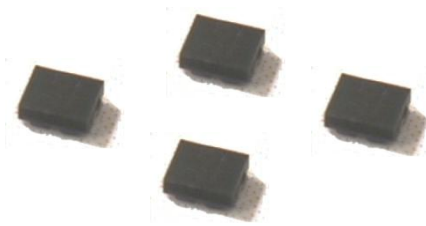




Data Sheet of SAW Components



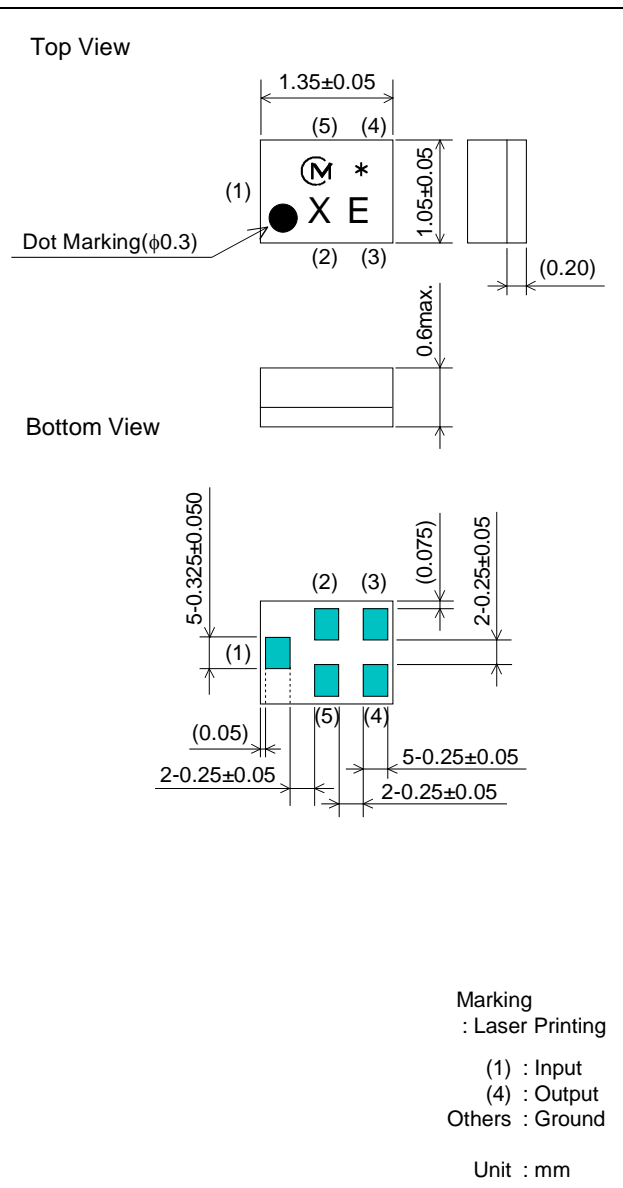
Note : Murata SAW Component is applicable for Cellular /Cordless phone (Terminal) relevant market only.

Please also read caution at the end of this document.

SAW FILTER FOR ISM RF

Murata part number :SAFEB915MAL0F00

Package Dimensions



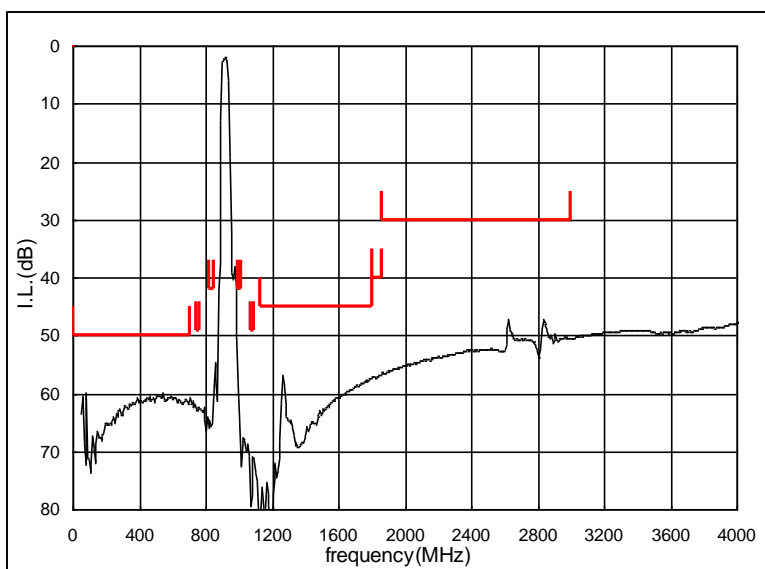
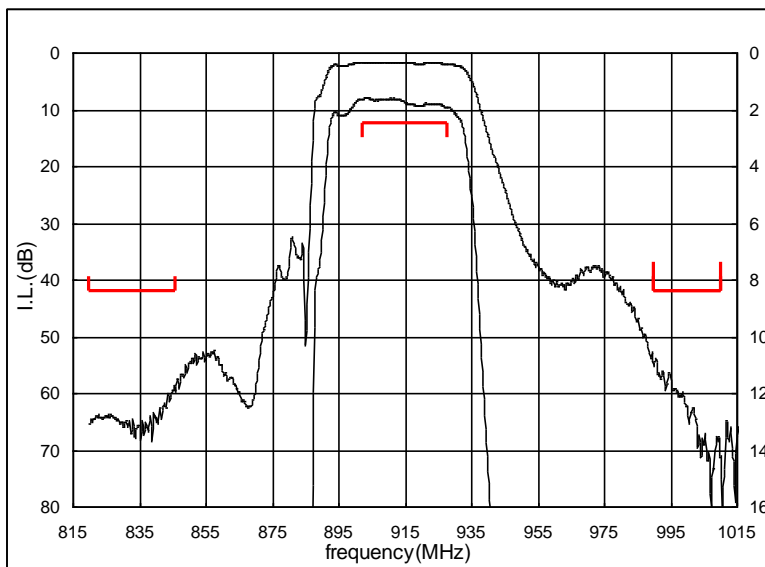
Specification

Item	Specification	
	-30 to +85°C	typ.
Nominal Center Frequency(f_c)	915 MHz	
Insertion Loss (902 to 928 MHz)	2.5 dB max.	1.8 dB
Absolute Attenuation		
1) 0.1 to 702 MHz	50 dB min.	60 dB
2) 738 to 764 MHz	49 dB min.	61 dB
3) 820 to 846 MHz	42 dB min.	59 dB
4) 990 to 1010 MHz	42 dB min.	51 dB
5) 1072 to 1092 MHz	49 dB min.	66 dB
6) 1128 to 1804 MHz	45 dB min.	54 dB
7) 1804 to 1856 MHz	40 dB min.	58 dB
8) 1856 to 3000 MHz	30 dB min.	47 dB
Ripple Deviation (902 to 928 MHz)	1.0 dB max.	0.3 dB
Return Loss (902 to 928 MHz)	10 dB min.	14 dB
Group Delay Time Deviation (902 to 928 MHz)	50 ns min.	12 ns
Input/Output Impedance (nominal)	50Ω	
Input Signal Level	31.6mW (+15dBm), 2000 hours	

SAW FILTER FOR ISM RF

Murata part number :SAFEB915MAL0F00

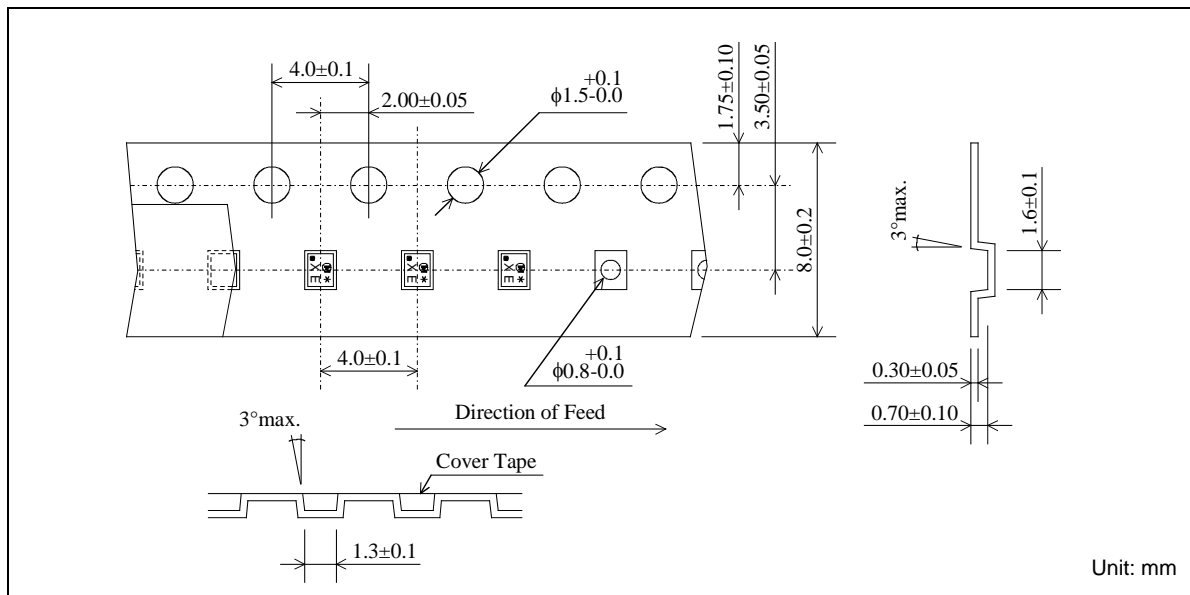
■ Frequency Performance



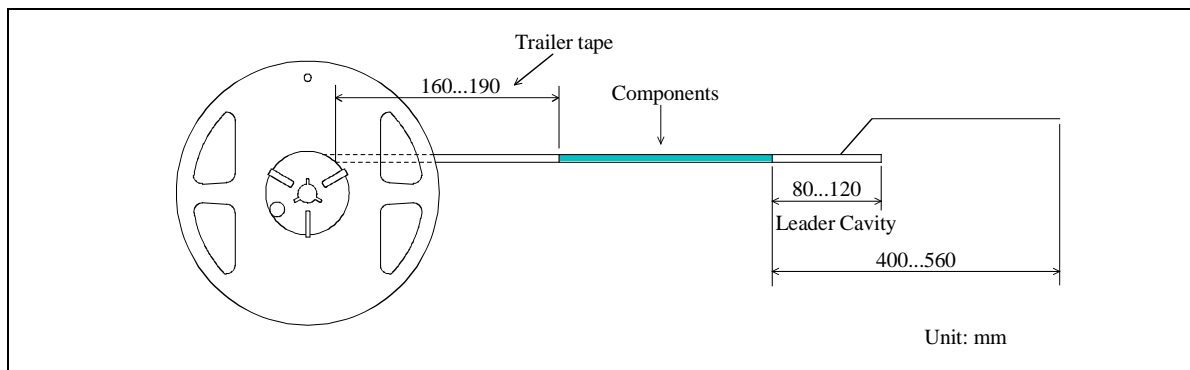
SAW FILTER FOR ISM RF

Murata part number : SAFEB915MAL0F00

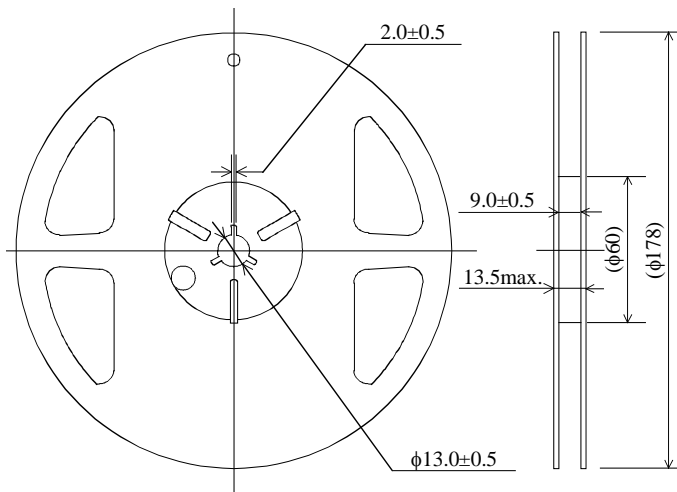
Dimensions of Carrier Tape



Dimensions of Tape



Dimensions of Reel



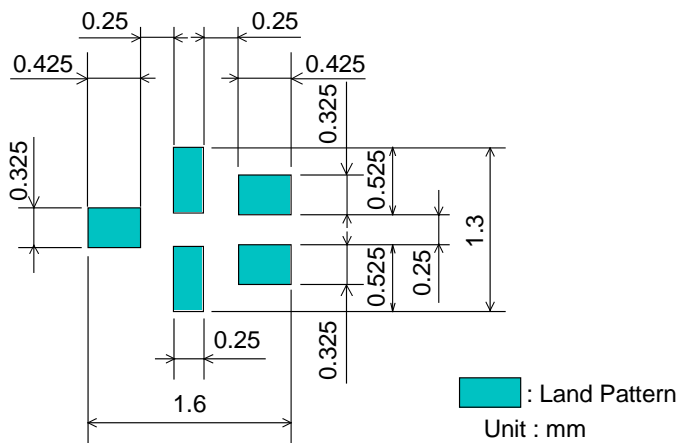
SAFEB915MAL0F00R14 ... 4000pcs/reel
SAFEB915MAL0F00R12 ... 2000pcs/reel

SAW FILTER FOR ISM RF

Murata part number :SAFEB915MAL0F00

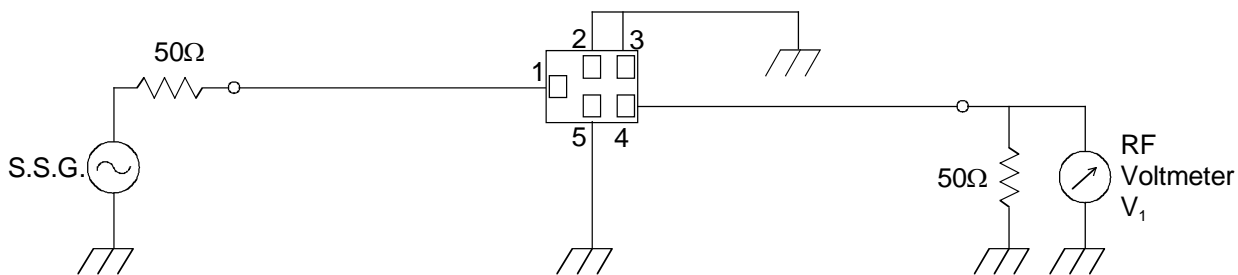
Recommended Land Pattern

Top View



Test Circuit

Bottom View



SAW FILTER FOR ISM RF

Murata part number :SAFEB915MAL0F00

■ RoHS Compliance

This component is compliant with RoHS directive.

This component was always RoHS compliant from the first date of manufacture.

• Caution - Limitation of Applications

This product is intended for the following applications only; however, please do not use this product in these applications where defects might directly cause damage to a third party's life, body or property.

- a. Mobile Telephone
- b. Cordless phone (except for Automotive use)
- c. PC (Including Notebook PC, Netbook PC, Tablet)
- d. Game
- e. Camera (except for Business/security use)
- f. Set Top Box
- g. Electronic dictionary
- h. Digital audio equipment

• This catalog is for reference only and not an official product specification document, therefore, please review and approve our official product specification before ordering this product.